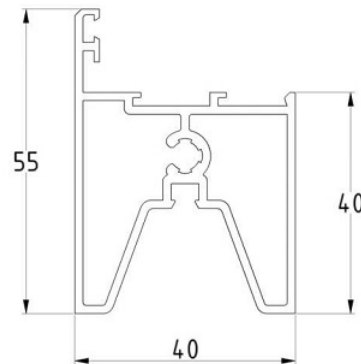


BOTTOM PROFILE FOR SYMMETRICAL PANEL
ARTICLE: 80555



Factory price: 105.53 € (excl. VAT) / piece Price without VAT

PRODUCT DESCRIPTION

Aluminium Bottom profile for full vision sections of industrial sectional doors with symmetrical edge

Material: Anodised Aluminium

Length: 7000 mm

ADDITIONAL INFORMATION

Weight	7.13 kg
Shipping class	Dłużyca