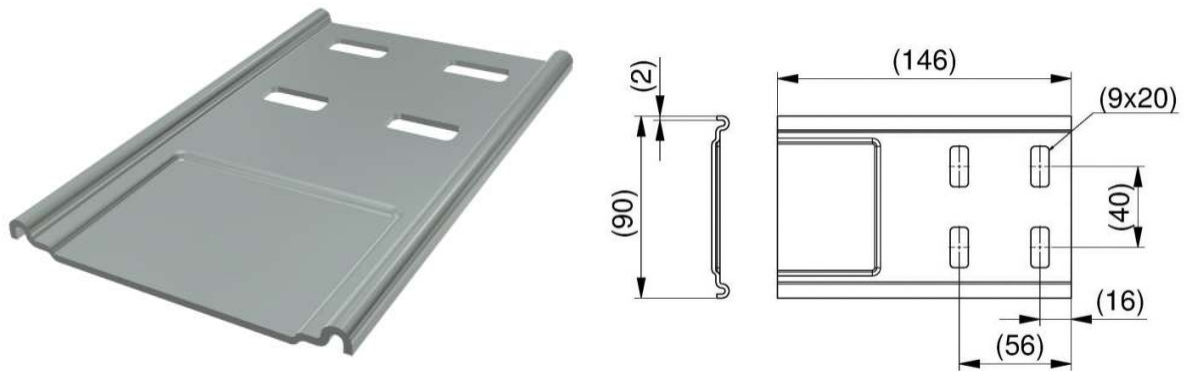




END BEARING PLATE, OFFSET 190MM
ARTICLE: 13005



Factory price: 15.86 € (excl. VAT) / piece Price without VAT

PRODUCT DESCRIPTION

End bearing plate, offset 190mm
Material: Galvanised steel 4mm
Bearing: 25,4mm (1inch)
Max load: 100kg/plate

ADDITIONAL INFORMATION

Weight	2.8 kg
Shipping class	Standard

