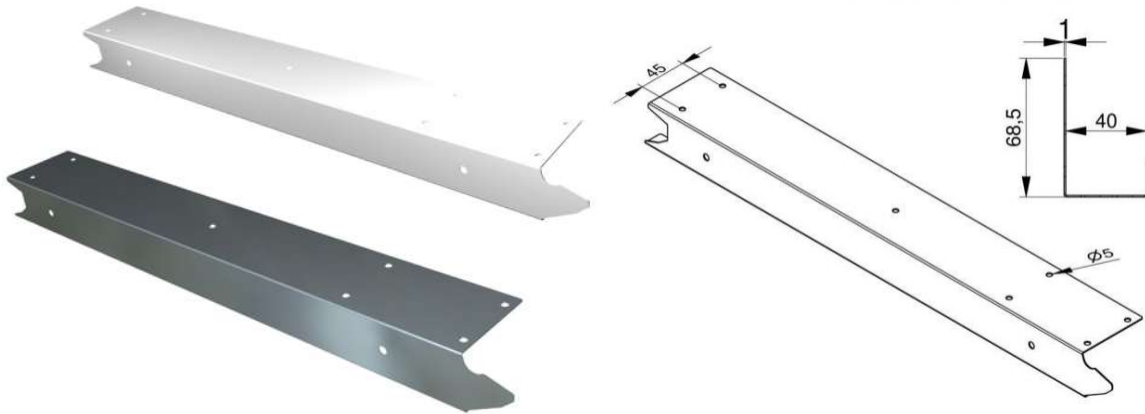




END CAP FOR PANEL EPCO, H=500MM, RIGHT
ARTICLE: 217033



Factory price: 2.90 € (excl. VAT) / piece Price without VAT

PRODUCT DESCRIPTION

End cap for sectional door panel EPCO
Material: Galvanised steel
Panel EPCO H=500mm with finger safe edge
Right

ADDITIONAL INFORMATION

Weight	0.38 kg
Producent	D
Materiał	Steel
Zastosowanie	sectional door
Shipping class	Standard

