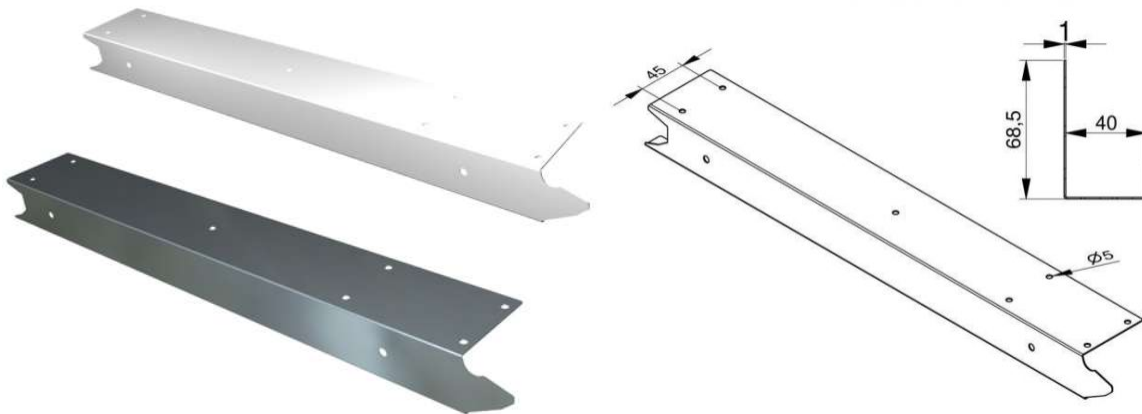


END CAP FOR PANEL EPCO, H=625MM,RIGHT, RAL9016
ARTICLE: 217087-RAL 9016



Factory price: 2.28 € (excl. VAT) / piece Price without VAT

PRODUCT DESCRIPTION

End cap for sectional door panel EPCO
Material: Galvanised steel , RAL9016
Panel EPCO H=625mm with finger safe edge
Right

ADDITIONAL INFORMATION

| | |
|-----------------------|----------|
| Weight | 0.48 kg |
| Shipping class | Standard |