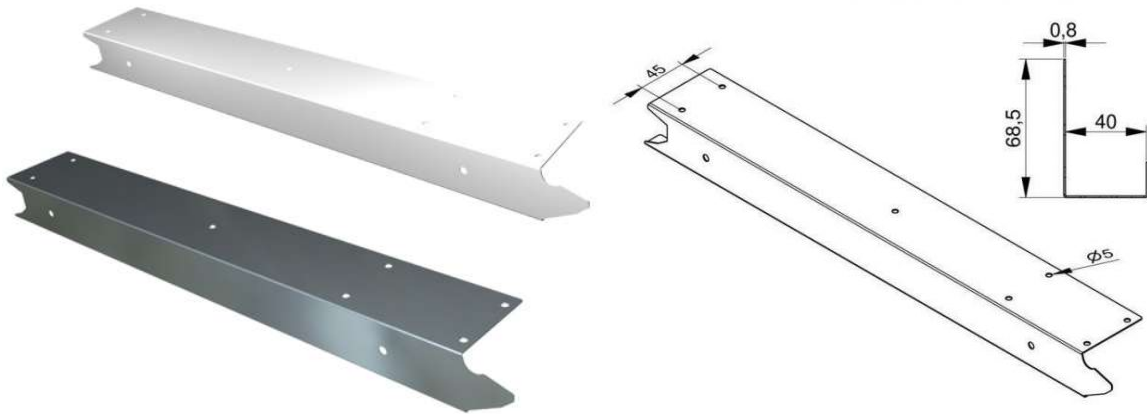


END CAP FOR SECTIONAL DOOR PANEL MARCEGAGLIA-METECHNO-ITALPANNELLI
H=610MM LEFT
ARTICLE: 217064



Factory price: 4.00 € (excl. VAT) / piece Price without VAT

PRODUCT DESCRIPTION

End cap for sectional door panel Marcegaglia-Metechno-Italpanelli
Material: Galvanised steel
Panel H=610mm with finger safe edge
Left

ADDITIONAL INFORMATION

Weight	0.47 kg
Shipping class	Standard