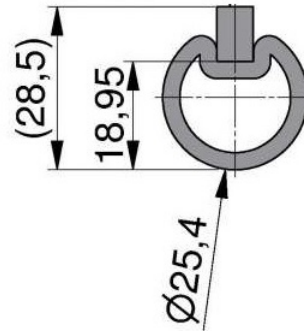




HOLLOW SHAFT 25,4-3MM WITH KEYWAY, L=3500MM
ARTICLE: 3500



Factory price: 12.00 € (excl. VAT) / piece Price without VAT

PRODUCT DESCRIPTION

Hollow shaft 25,4mm with keyway
Material: Galvanised steel
Shaft wall thickness 3mm
Length: 3500mm
To be used with key26062 or 26064

ADDITIONAL INFORMATION

Weight 5.95 kg
Shipping class Dłużyca

