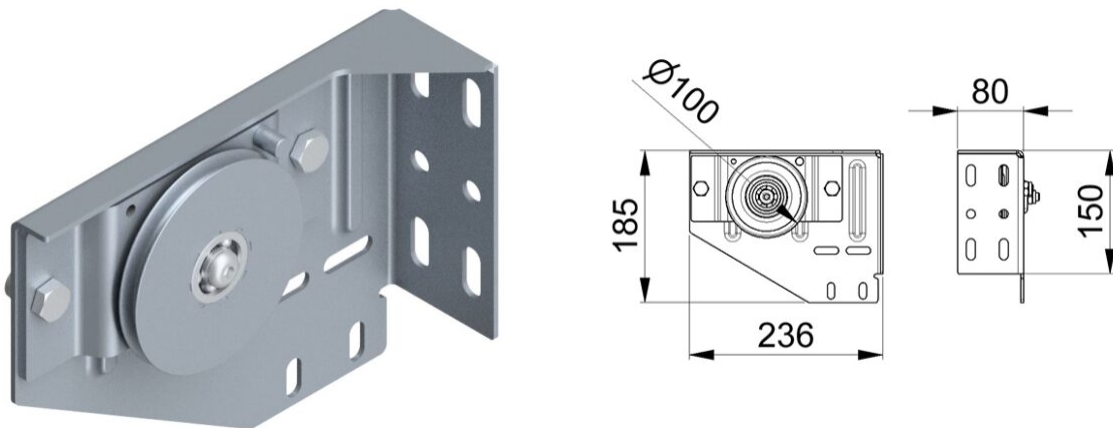


LHI PULLEY BRACKET LEFT
ARTICLE: 295100



Factory price: € (excl. VAT) / piece Price without VAT

PRODUCT DESCRIPTION

LHI cable pulley suitable for 3, 4 and 5 mm cables.
Integrated connection of angle 290030 and C-profile 220020.
Application: Low Headroom Industry (LHI)
Material: Zinc plated steel Left.

ADDITIONAL INFORMATION

Weight 0.2 kg

Measurement unit piece

Materiał Steel

Producent Komponenty do bram Sp. z o.o. Adres: ul. Wycieczkowa 26 91-518 Łódź Polska Kontakt: email:biuro@kdb-polska.pl telefon: +48505331431

Shipping class