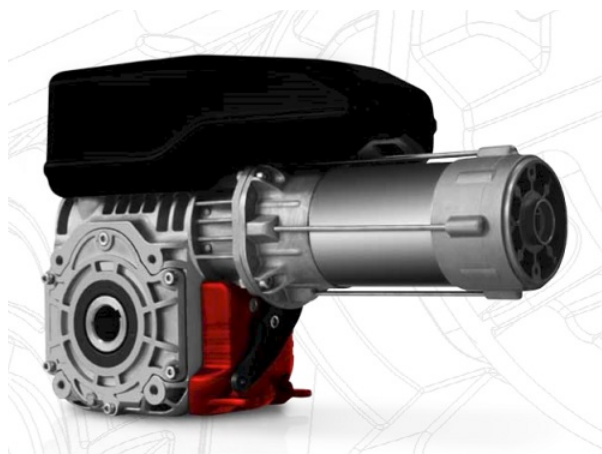

SINGLE PHASE MOTOR 70N FOR INDUSTRIAL SECTIONAL DOORS OF MAXIMUM WEIGHT = 350KG

ARTICLE: SZX 70 M CE



Factory price: 661.00 € (excl. VAT) / piece Price without VAT

PRODUCT DESCRIPTION

The set includes 230V AC motor of 0,5kW output power, worm gear with drive shaft, electronic limit switches with absolute encoder, hand chain override, control box with up/down/stop button control, integrated radio receiver and transmitter for remote control, 7m power and control connecting cable. For industrial doors of maximum weight 350kg.

ADDITIONAL INFORMATION

Weight	3.6 kg
Shipping class	Standard