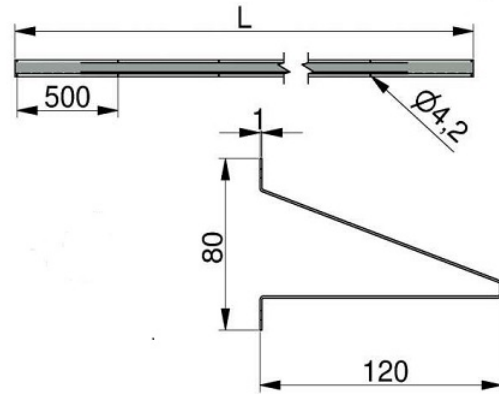




**STRENGTHENING PROFILE H=120MM, L=6520MM**  
**ARTICLE: 6520**



**Factory price: 50.90 € (excl. VAT) / piece Price without VAT**

**PRODUCT DESCRIPTION**

Strengthening profile for industrial doors with width exceeding 5000mm  
Height: 120mm  
Length: 6520mm  
Material: Galvanized steel 1,0mm  
Perforations of 4,2mm every 500mm

**ADDITIONAL INFORMATION**

**Weight** 14.34 kg

**Shipping class** Dłużyca

