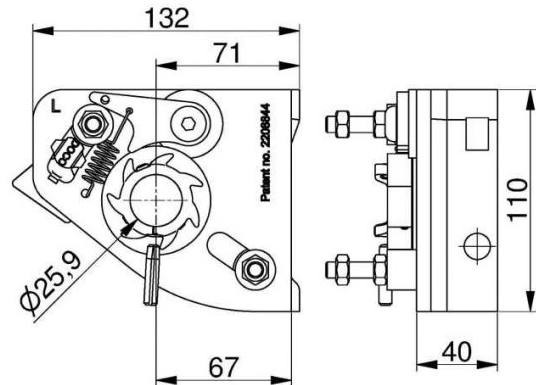
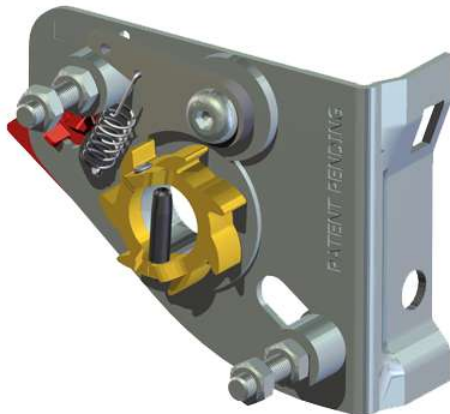




UNIVERSAL SPRING BREAK PROTECTION DEVICE FOR HOLLOW SHAFT WITHOUT KEYWAY LEFT
ARTICLE: 29952



Factory price: 23.67 € (excl. VAT) / piece Price without VAT

PRODUCT DESCRIPTION

Universal garage door protection device for hollow shaft without keyway
Material: Galvanised steel, cast iron wheel
For springs M-50 i M67
Maximum torque per one spring 46 Nm
Left : 29952 ; Right: 29953a
For use with brackets 13006 or 24619
Offset 67mm

ADDITIONAL INFORMATION

Weight	N/A
Shipping class	Standard

